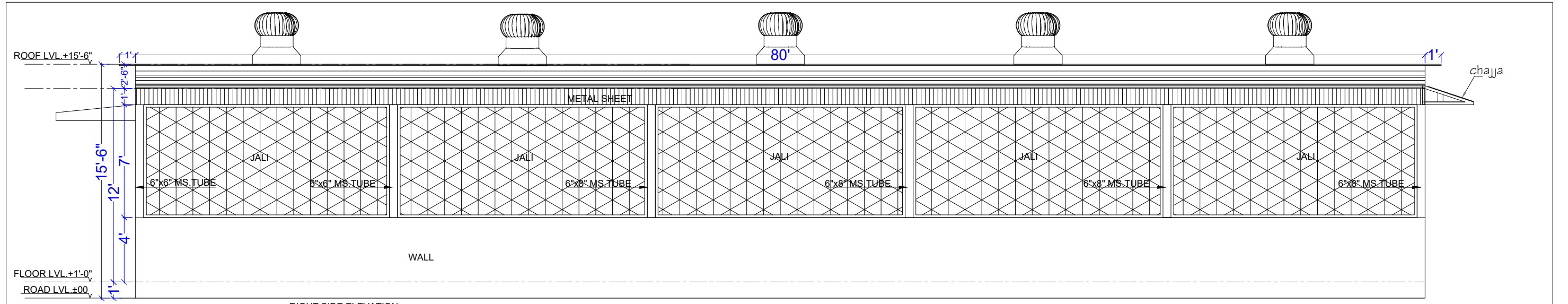
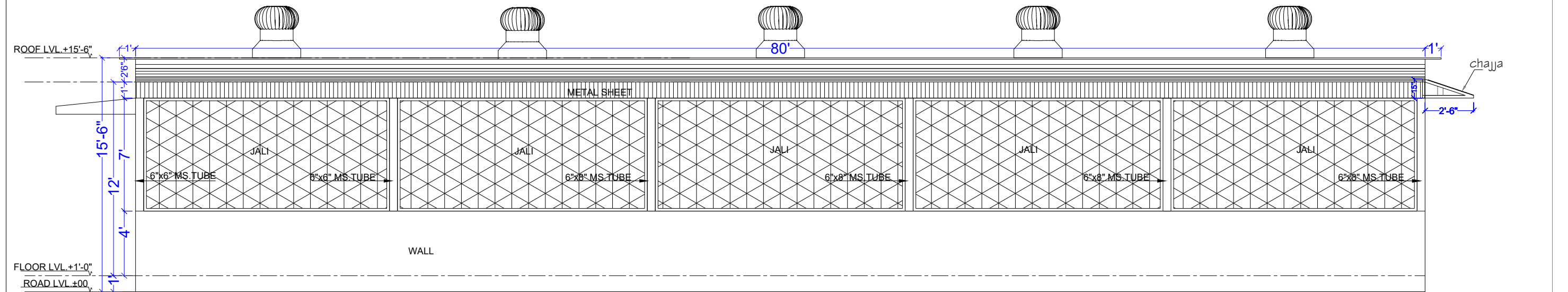


PROJECT:-	DWG.TITLE	DATE	ISSUED TO	DESIGNED BY	AHAD ARCHITECT ADD:- Shri Krishna Residency, Doctor Saini wali Gali, Haldwani Morh, Phase2, Noida Email:- amir21w@gmail.com Mob. 9654004842	NORTH
SHED	ELEVATIONS-1	22.01.2025	SCALE	Ar. AMIR KHAN		

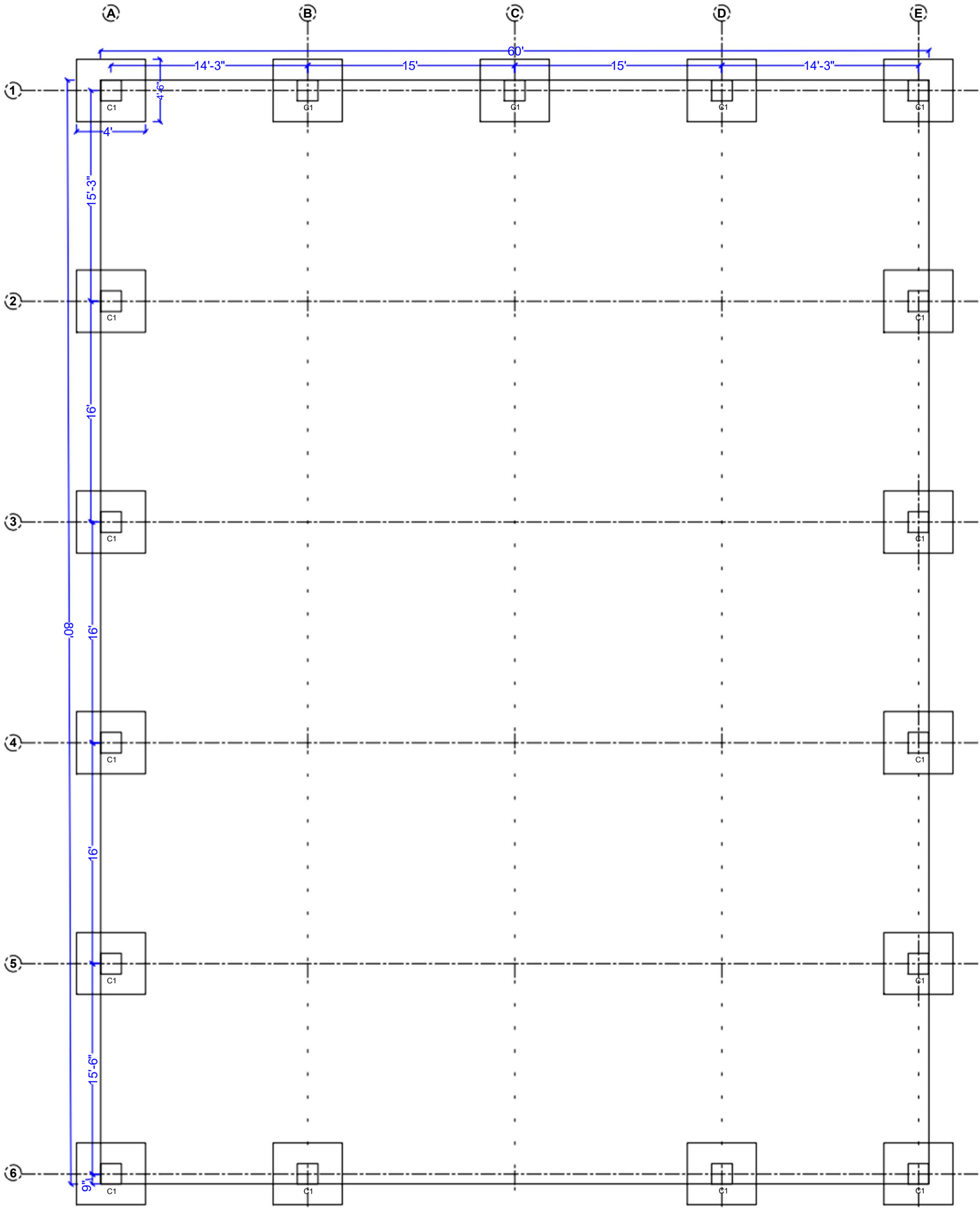


RIGHT SIDE ELEVATION

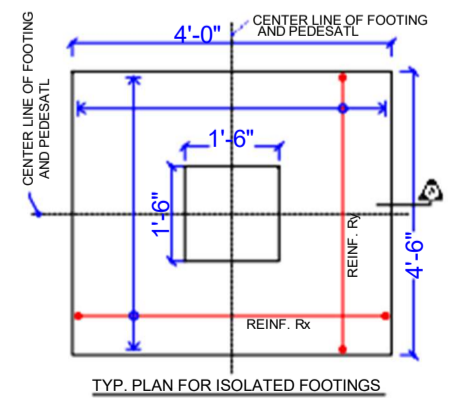
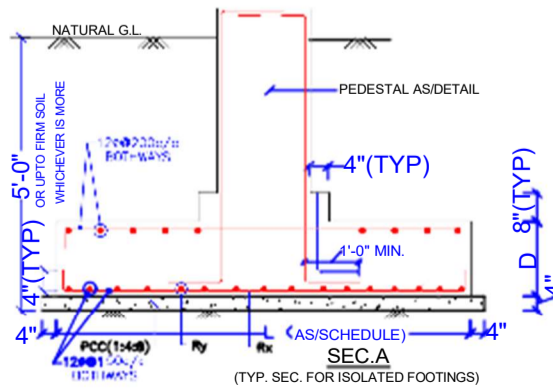
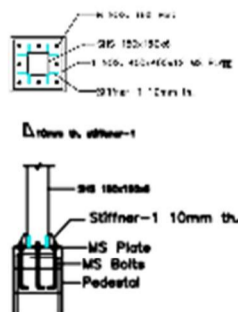


LEFT SIDE ELEVATION

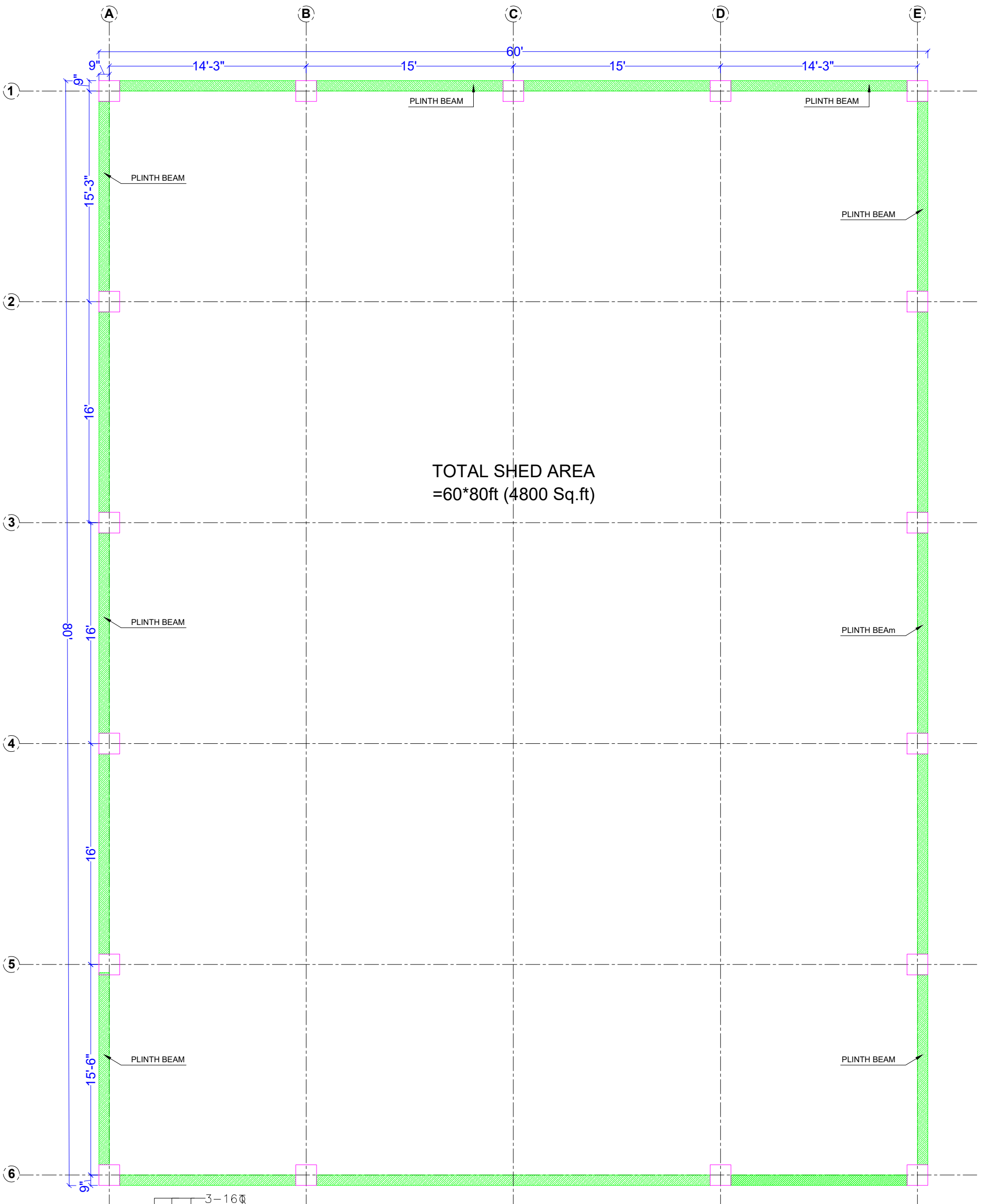
PROJECT:-	DWG.TITLE	DATE	ISSUED TO	DESIGNED BY	NORTH	AHAD ARCHITECT ADD:- Shri Krishna Residency, Doctor Saini wali Gali, Haldwani Morh, Phase2, Noida Email:- amir21w@gmail.com Mob. 9654004842
SHED	ELEVATION-2	22.01.2025	SCALE	AR. AMIR KHAN		



FOUNDATION PLAN

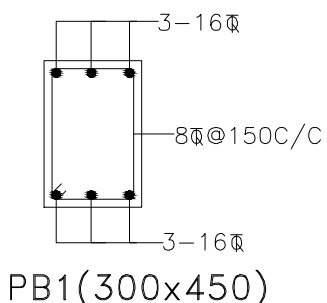


PROJECT:- SHED	DWG. TITLE	DATE	ISSUED TO	DESIGNED BY	AHAD ARCHITECT ADD:- Shri Krishna Residency, Doctor Saini wali Gali, Haldwani Morh, Phase 2, Noida Email:- amir21w@gmail.com Mob. 9654004842	NORTH
	FOOTING LAYOUT PLAN	16.02.2025	SCALE	AR. AMIR KHAN		

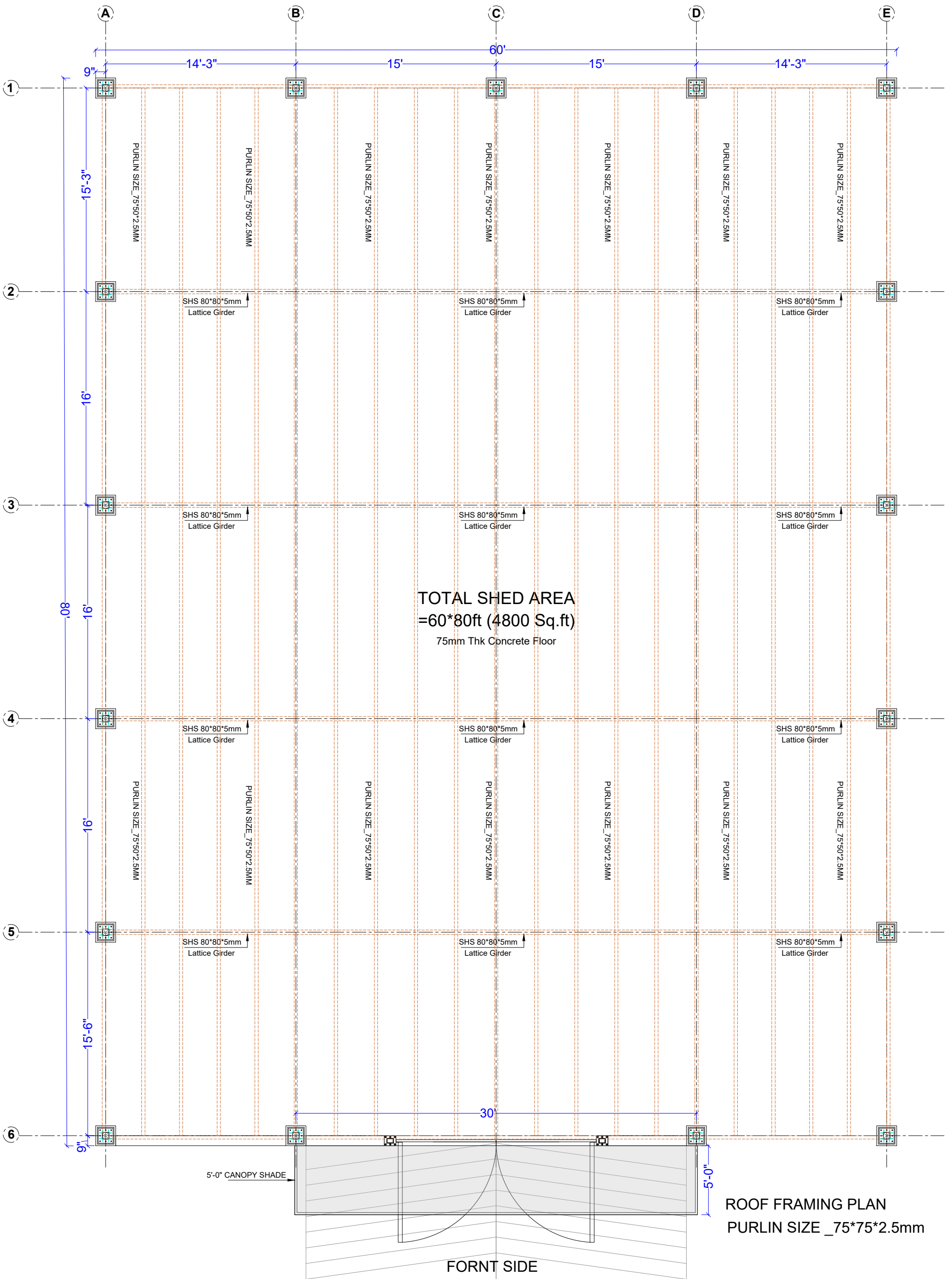


TOTAL SHED AREA
=60*80ft (4800 Sq.ft)

PLINTH BEAM PLAN



PROJECT:- SHED	DWG.TITLE PLINTH BEAM PLAN	DATE 16.02.2025	ISSUED TO	DESIGNED BY AR. AMIR KHAN	AHAD ARCHITECT ADD:- Shri Krishna Residency, Doctor Saini wali Gali, Haldwani Morh, Phase2, Noida Email:- amir21w@gmail.com Mob. 9654004842	NORTH
			SCALE			



PROJECT:-

SHED

DWG.TITLE

ROOF FRAMING PLAN

DATE

16.02.2025

ISSUED TO

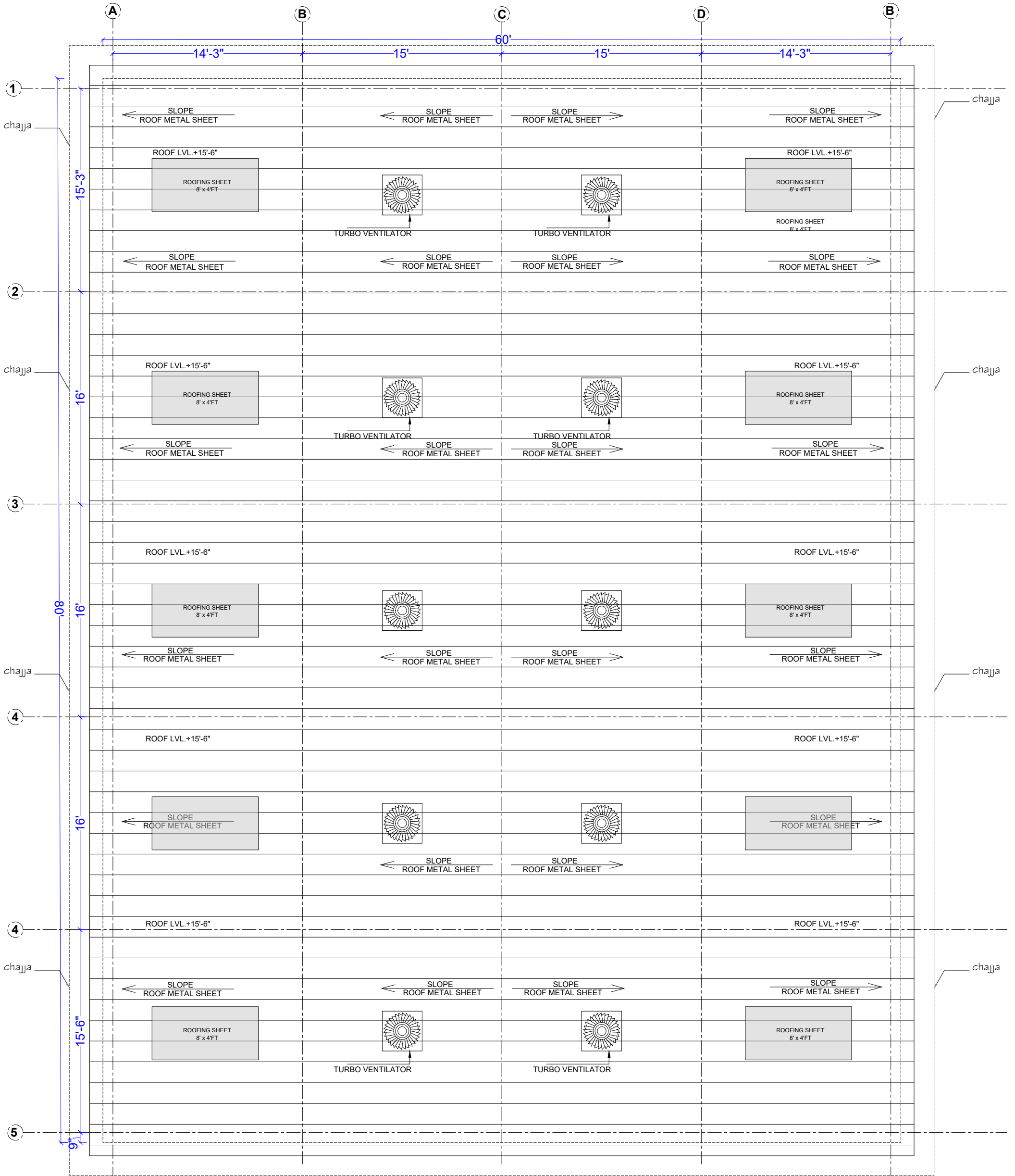
SCALE

DESIGNED BY

AR. AMIR KHAN

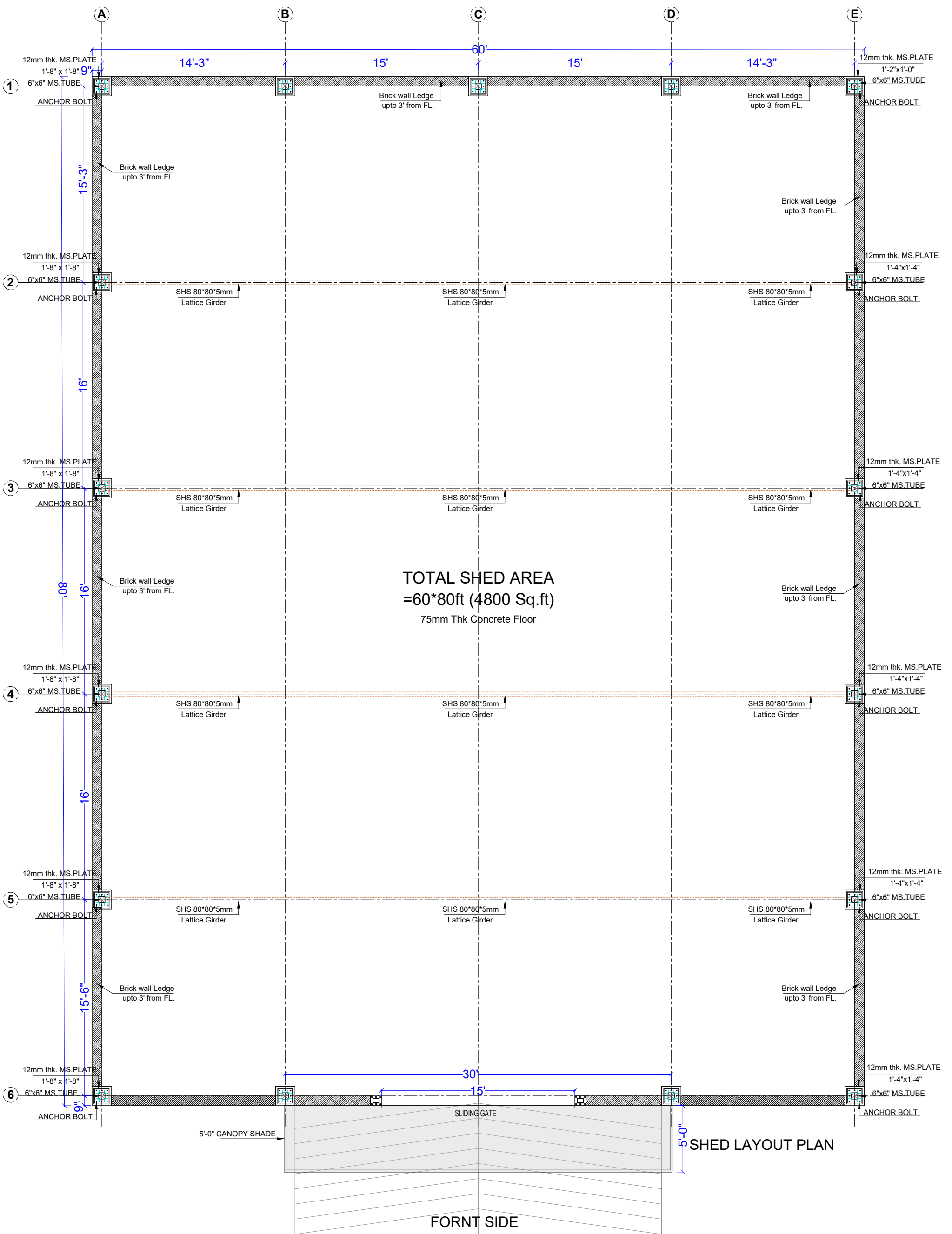
AHAD ARCHITECT
ADD:- Shri Krishna Residency,
Doctor Saini wali Gali, Haldwani Morh,
Phase2, Noida
Email:- amir21w@gmail.com
Mob. 9654004842

NORTH



ROOF PLAN

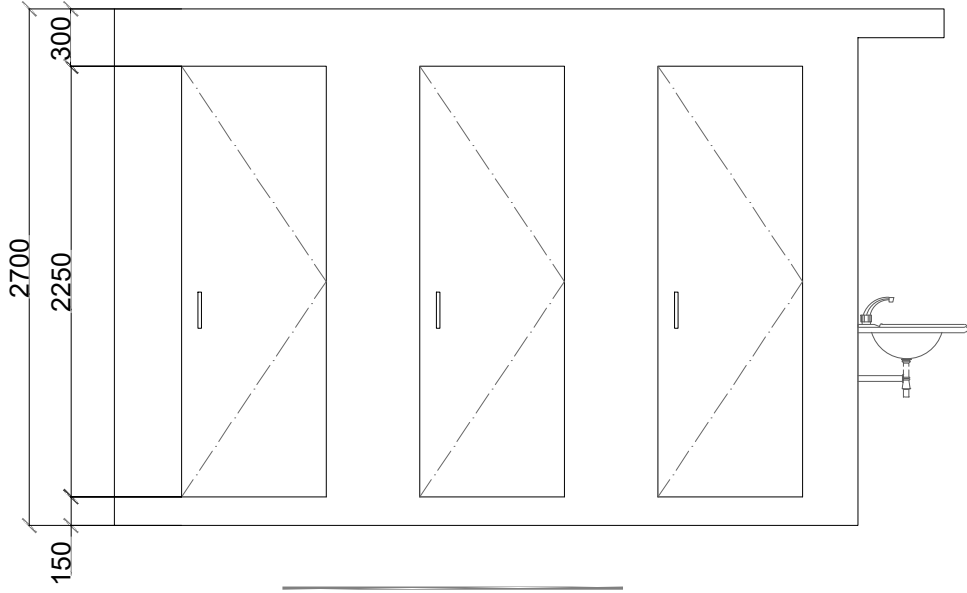
PROJECT:-	DWG. TITLE	DATE	ISSUED TO	DESIGNED BY	AHAD ARCHITECT	NORTH
SHED	ROOF PLAN	16.02.2025	SCALE	AR. AMIR KHAN	ADD:- Shri Krishna Residency, Doctor Saini wali Gali, Haldwani Morh, Phase2, Noida Email:- amir21w@gmail.com Mob. 9654004842	



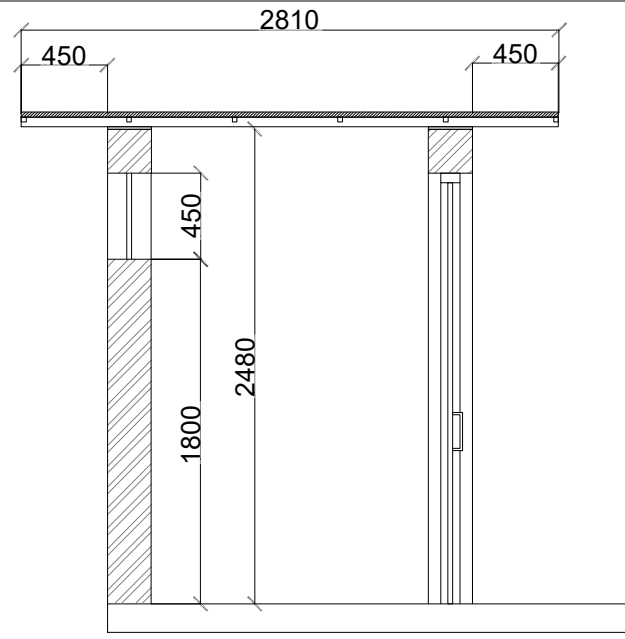
SHED LAYOUT PLAN

FORNT SIDE

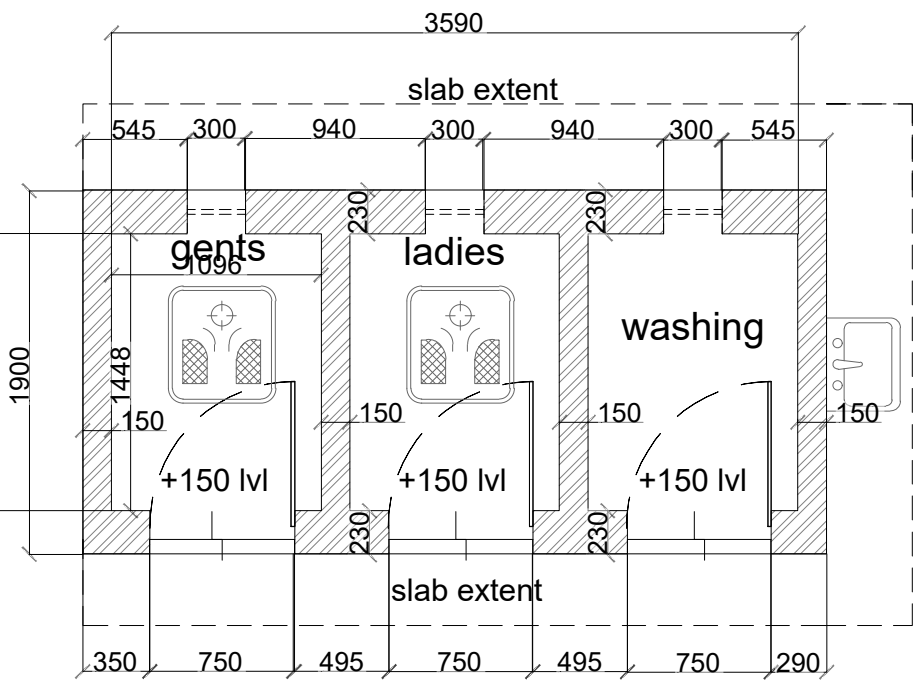
PROJECT:- SHED	DWG.TITLE SHED LAYOUT PLAN	DATE 16.02.2025	ISSUED TO	DESIGNED BY AR. AMIR KHAN	AHAD ARCHITECT ADD:- Shri Krishna Residency, Doctor Saini wali Gali, Haldwani Morh, Phase2, Noida Email:- amir21w@gmail.com Mob. 9654004842	NORTH
			SCALE			



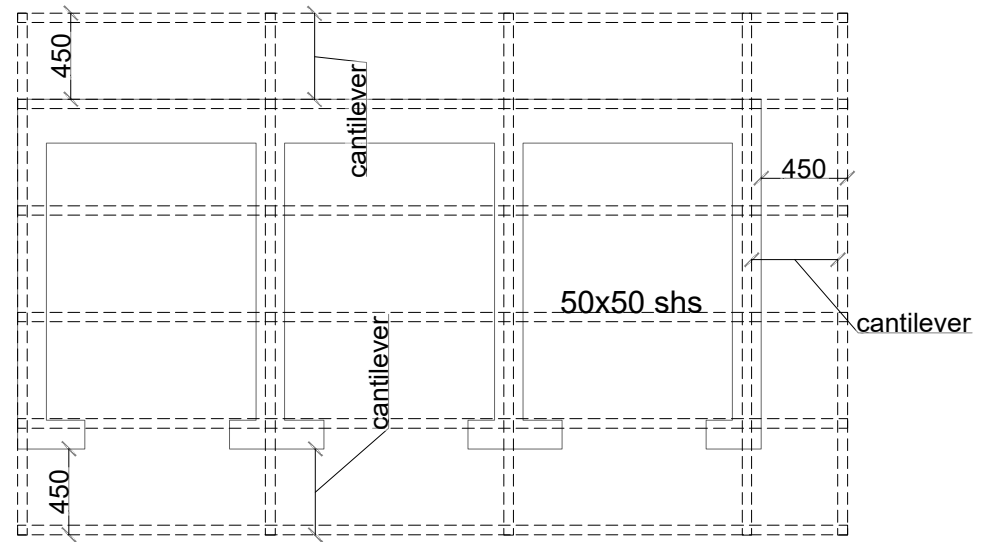
FRONT ELEVATION



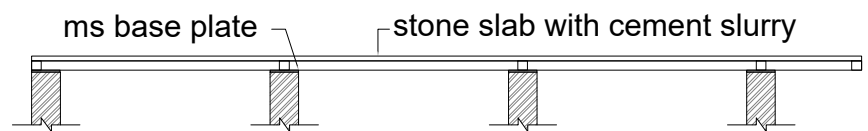
TYPICAL SECTION



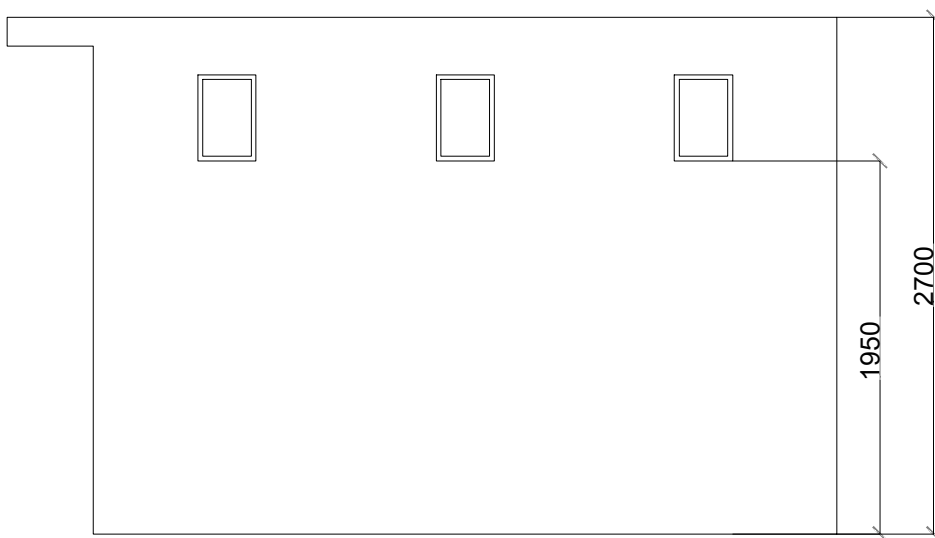
TOILET BLOCK LAYOUT



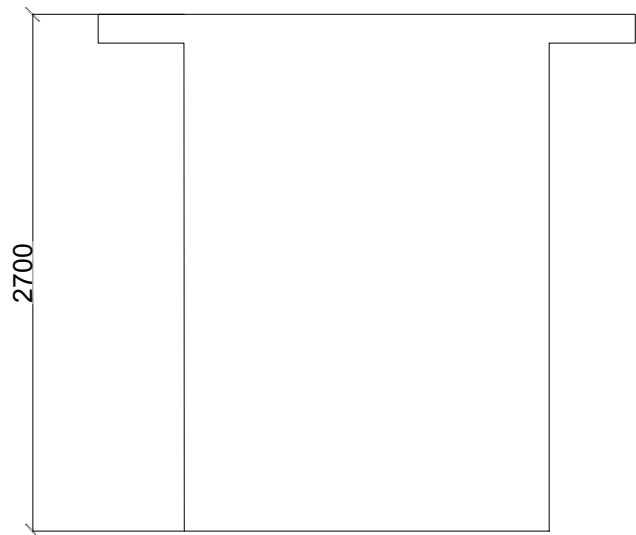
SLAB FRAME PLAN



SLAB SECTION



REAR ELEVATION



SIDE ELEVATION

PROJECT:-

SHED

DWG.TITLE

TOILET BLOCK DWG.

DATE

16.02.2025

ISSUED TO

SCALE

DESIGNED BY

AR. AMIR KHAN

AHAD ARCHITECT
ADD:- Shri Krishna Residency,
Doctor Saini walli Gali, Haldwani Morh,
Phase2, Noida
Email:- amir21w@gmail.com
Mob. 9654004842

NORTH